

SCREW CONNECTORS

M12 12 pin male with wires

TOPTTEK[®]

HARDWARE ELECTRONIC COMPONENTS

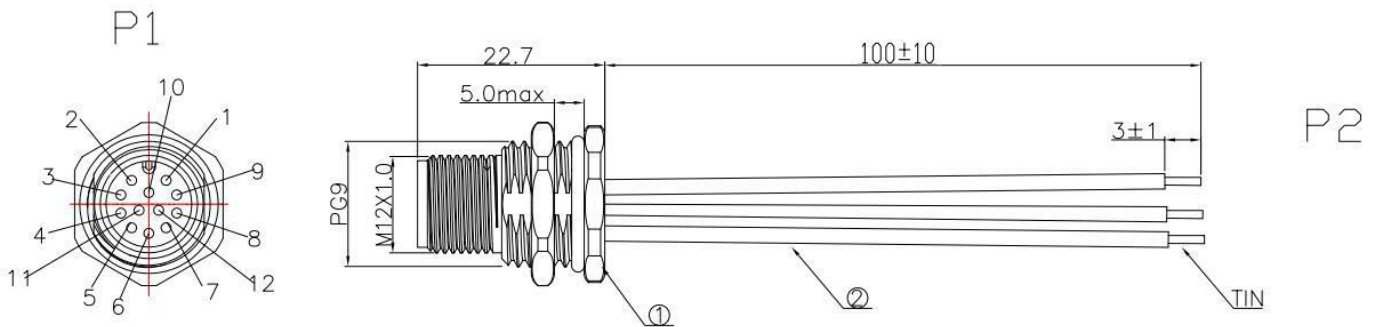


www.toptek-co.com



SPECIFICATION MODEL: M12-12P MALE

1	Contact Pin Material	Copper with gold plating
2	Coupling Nut/Screw Material	Brass with nickel plating
3	Insulation Plastic Material	PA66+GF
4	Technical Characteristic	100% open % short test
		Clean and neat appearance
		PE bag packing



P1	P2
1	White
2	Brown
3	Green
4	Yellow
5	Grey
6	Pink
7	Blue
8	Red
9	Orange
10	Violet
11	Black

PG9 Panel hole size

